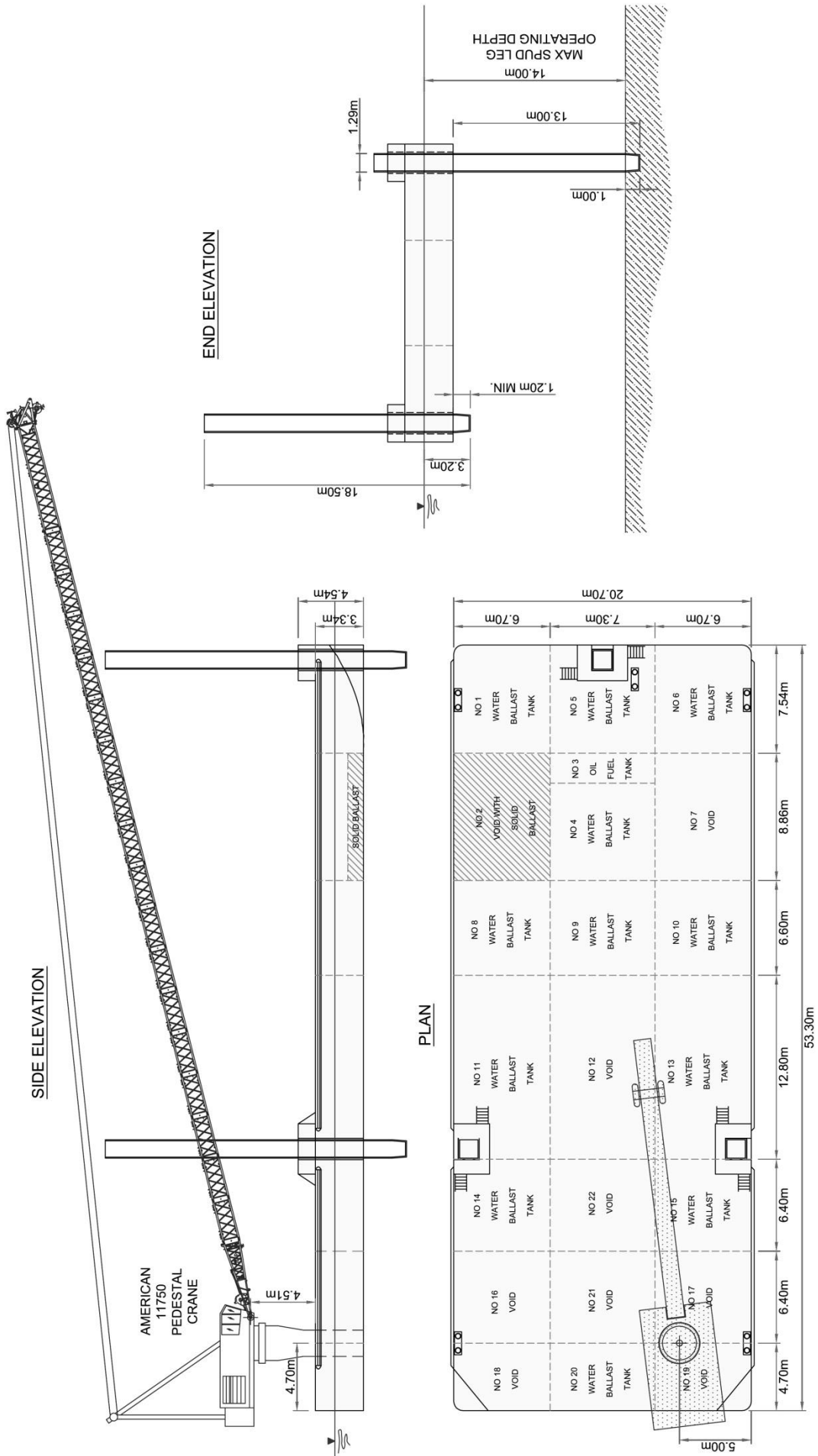


## Fort Atlas

General Information
<b>Built:</b> 1959
<b>Modified:</b> 2008
Hull and deck all welded steel construction
<b>Length:</b> 53.34m
<b>Beam:</b> 20.73m
<b>Draft:</b> 2.55m
<b>Gross Tonnage:</b> 1057T
Ideal for coastal waters, harbours and estuaries

Main Equipment
<b>Mooring System:</b> Can be installed as per project requirements
American 11750 Crane
Facility for using 2 x 25mtr Spud Legs



BOOM LENGTH (m)	RADIUS (m)	BOOM ANGLE (DEGREES)	360° RATING (T)
61.0m (200')	10.67	82.1	102.1
	12.19	80.6	88.1
	15.24	77.7	68.1
	18.29	74.7	55.0
	21.34	71.7	45.4
	24.38	68.7	38.5
	27.43	65.6	33.0
	30.48	62.4	28.5
	33.53	59.1	24.9
	36.58	55.7	22.1
	39.62	52.1	19.5
	42.67	48.3	17.3
	45.72	44.3	15.3
	48.77	40.0	13.7
	51.82	35.3	12.2
	54.86	29.9	10.9
	57.91	23.4	9.7
60.96	14.3	8.6	

